

Technical Specification

1200-1400 MHz YAGI

Y221210

YAGI ANTENNA

High Performance: This 10 element yagi antenna provides 10dBd gain with wide band performance.

Rugged and weatherproof: The construction of our standard duty yagis feature aluminum U channel with solid elements. All exposed areas are coated with UV polyester.

Lightweight and Durable: This yagi antenna is easily installed by one person, yet is designed to withstand 100 MPH winds.

Termination Options:

Type A: 12" (30cm) Teflon pigtail with N connector.



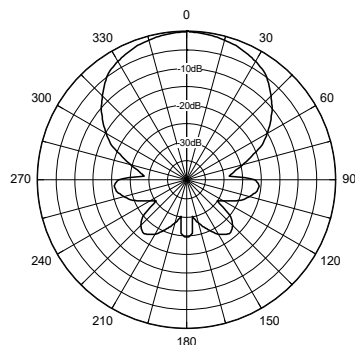
MECHANICAL SPECIFICATIONS

MATERIAL:	1/2" (4cm) aluminum U channel boom 3/16" solid elements
FINISH:	UV inhibited polyester coat
LENGTH:	32 1/2" (82.5cm)
WEIGHT:	1 lb. (453g)
MOUNTING:	1 5/8" (4.4cm) mast maximum
FLAT PLATE AREA:	.128 ft ²
WIND SURVIVAL:	100 MPH (201kph)
WIND LOAD:	7.7 lbs.(4kg)

ELECTRICAL SPECIFICATIONS

GAIN:	10 dBd
FREQUENCY:	1200-1400MHz
F to B RATIO:	20dB
BANDWIDTH:	200MHz
VSWR:	<2:1
POWER RATING:	150 watts
IMPEDANCE:	50 ohms

Horizontal Pattern



Vertical Pattern

