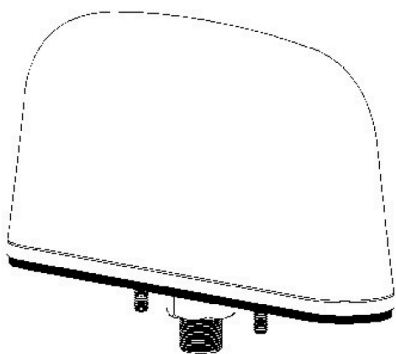


LTB and BD Series Installation Instruction

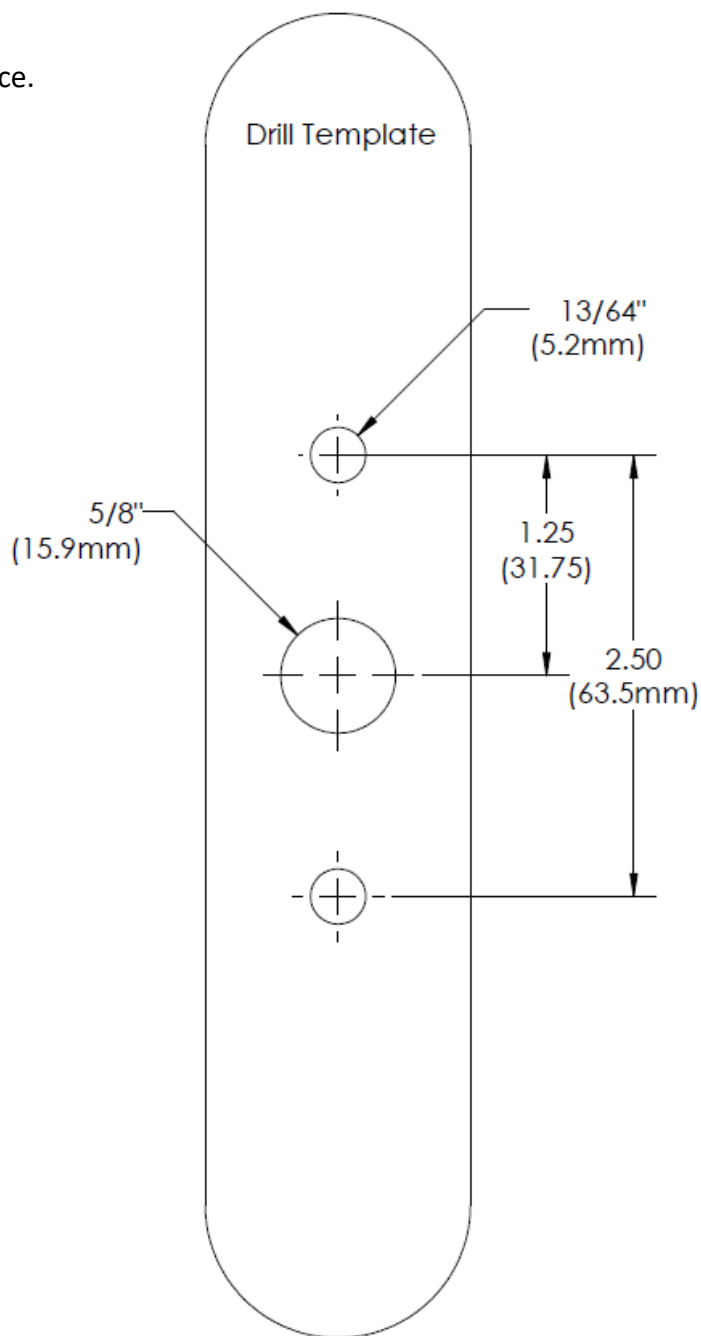
Installation Steps:

- Drill a 5/8" (15.9mm) hole through the mounting surface.
- LTB: An optional Anti-Rotation stud is included.
- Drill (1)13/64" (5.2mm) hole and use supplied #10 threaded stud and nut.
- BD: The BD series has two additional mounting studs. Drill (2) 13/64" (5.2mm) holes.



Shown: BD Antenna with mounting studs

- Clean surface where new antenna is to be mounted.
- Remove all the paper from gasket.
- Feed cable(s) and base bolt through hole.
- (OPTIONAL) If additional sealing is required a bead of silicone can be applied to the gasket
- Attach lock washer and hex nut
- Tighten nuts to 5 lb./ft. (6.8Nm)
- **NOTE: DO NOT OVERTIGHTEN**



[Terms and Conditions](#)



Toll Free: 1-800-648-2800
Phone: 1-847-671-6690
Fax: 1-847-250-5120
Email: info@mobilemark.com



Phone: +44 1543 459555
Fax: +44 1543 459545
Email: enquiries@mobilemarkeurope.co.uk



Mobilemark.com

950-024-9-001A-0717 JCP REV. C