

EDX450-1-2 Installation Instruction

Exposed Dipole No Mast Supplied

Maximum Diameter For User Supplied Support Pipe = 2.25" (5.72cm)

Parts Supplied:

- EDX Exposed Dipole Assembly
- EDX Mount Bracket
- 2 Stainless Steel V Bolts
- 2 Stainless Steel U Bolts

Install Each Assembly On Mast.

Top Of Dipole Should Match Top Of Mast (Not Included)

If 2nd Dipole Is Used It Should Be Centered 17"

(43.18cm) Below The Center Of The Top Element.

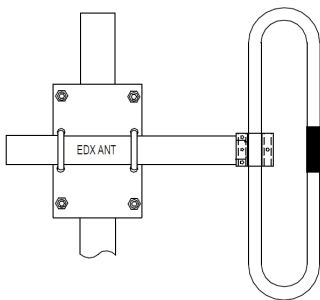
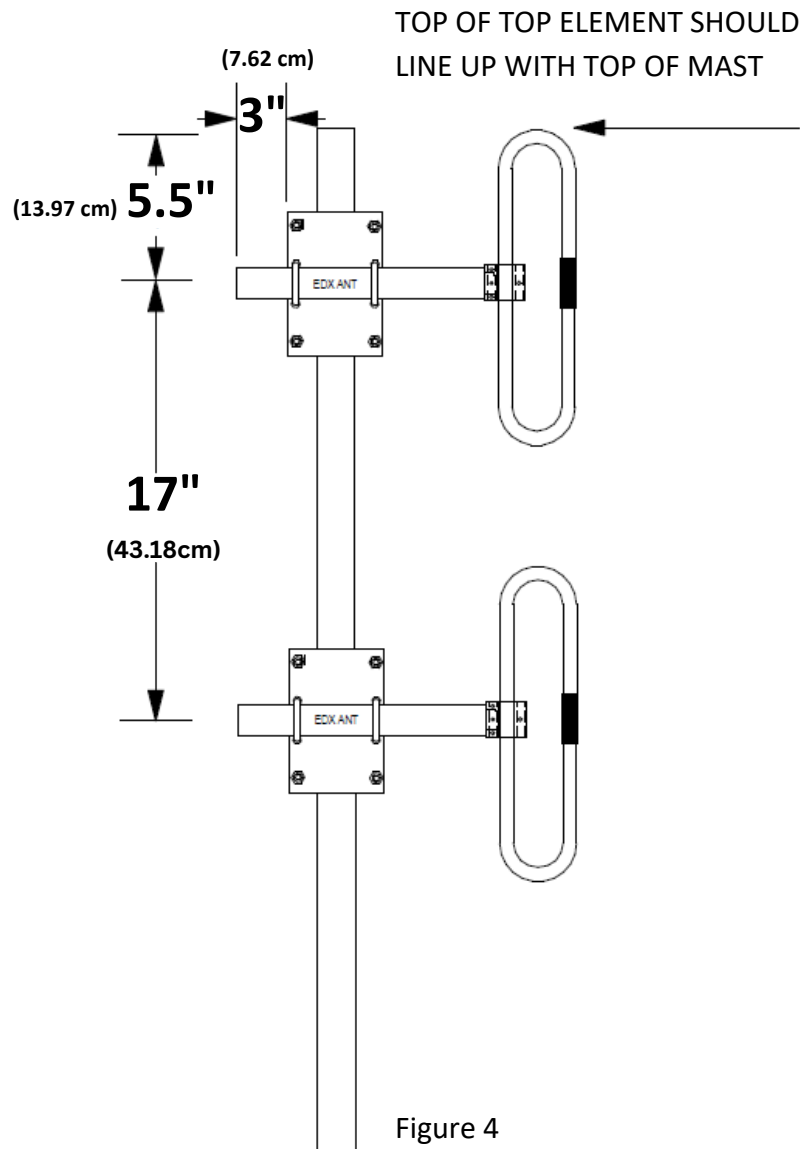


Figure 1

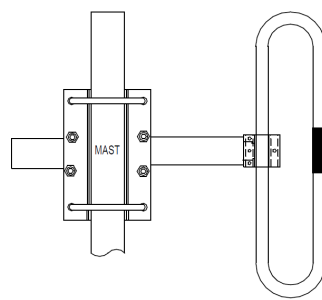


Figure 2



Figure 3



[Terms and Conditions](#)



Toll Free: 1-800-648-2800
 Phone: 1-847-671-6690
 Fax: 1-847-250-5120
 Email: info@mobilemark.com



Phone: +44 1543 459555
 Fax: +44 1543 459545
 Email: enquiries@mobilemarkeurope.co.uk



Mobilemark.com

950-110-9-001-0724_REV A