

BSR Mounting Instructions

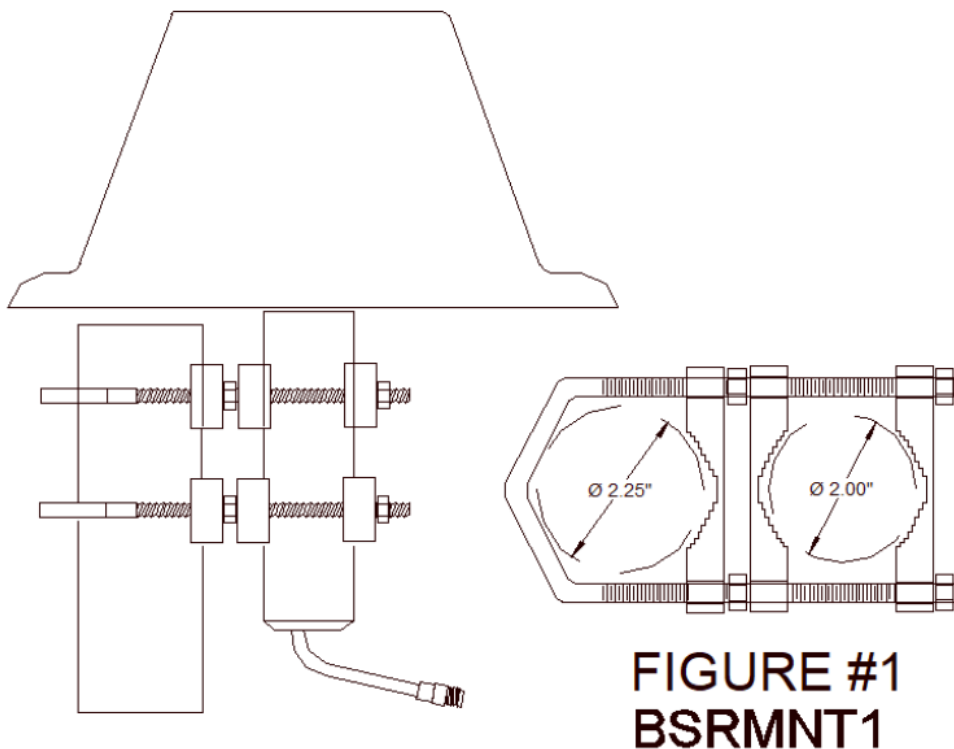
Standard Top of Mast Mounting with BSRMNT1

Installation Steps:

- Install closed end of both "V" bolt assemblies on mast or tower leg.
- Tighten "V" block with ¼" (6.35mm) 20 nuts & lock washers.
- Put on second and third "V" blocks as shown in (Figure#1).
- Slide antenna down and secure by tightening the third "V" block with ¼" (6.35mm) 20 nuts & lock washers.

NOTES:

- Maximum diameter for support pipe is 2.25" (57.15mm)
- Maximum diameter for antenna base pipe is 2.00" (50.80mm)



Show with an Optional Second BSRMNT1 Mount



[Terms and Conditions](#)



Toll Free: 1-800-648-2800
Phone: 1-847-671-6690
Fax: 1-847-250-5120
Email: info@mobilemark.com



Phone: +44 1543 459555
Fax: +44 1543 459545
Email: enquiries@mobilemarkeurope.co.uk



Mobilemark.com

68-184A01/DR: SM/APP: XX/REV. P