

## BSLLUMNT 1 & 2 Mount Instructions

### Installation Steps:

- Install mount on mast with either two (2) 8" (20.32cm) bolts or four (4) 3-1/2" (8.89cm) bolts
- Tighten outer "V" block with supplied nuts & lock washers
- Slide antenna down and secure by tightening the "V" block with nuts and lock washers
- Maximum diameter for support pipe and base pipe is 2.5" (6.35cm)
- BSLLUMNT 1-4 Can be turned 90 degrees
- NOTE: Tighten nuts to 5 lb./ft. (6.8 Nm)
  - DO NOT overtighten
- **ATTENTION:** Always wear safety glasses and follow the proper safety practices when installing this antenna

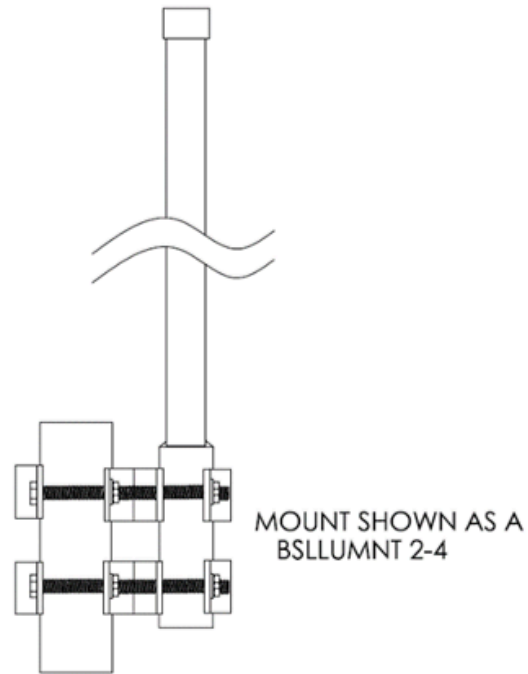
### Products covered by this guide:

BSLLUMNT 1-2 (Bracket with 2 bolts)

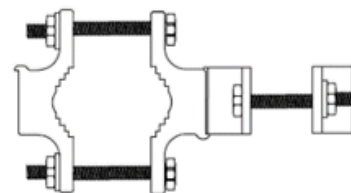
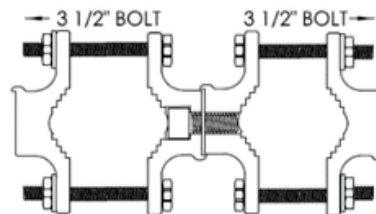
BSLLUMNT 2-4 (Dual Brackets with 4 bolts)

BSLLUMNT 1-4 (Bracket with 4 bolts)

BSLLUMNT 2-8 (Dual Brackets with 8 bolts)

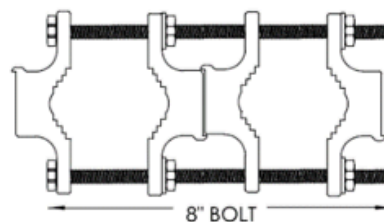


BSLLUMNT1-4 (SWIVEL)



TURNED 90°

BSLLUMNT1-2



8" BOLT



[Terms and Conditions](#)



Toll Free: 1-800-648-2800  
Phone: 1-847-671-6690  
Fax: 1-847-250-5120  
Email: [info@mobilemark.com](mailto:info@mobilemark.com)



Phone: +44 1543 459555  
Fax: +44 1543 459545  
Email: [enquiries@mobilemarkeurope.co.uk](mailto:enquiries@mobilemarkeurope.co.uk)



[Mobilemark.com](http://Mobilemark.com)

950-055-9-001-0119 DR: SM APP: TC REV. C