

## XW Panel Outdoor Series Installation Instruction

### Installation Steps:

- Attach the bracket to the studs on the back of the antenna with supplied hardware
- Mount the antenna on mounting pipe using the U-bolt, the clamp and the supplied hardware
- Mounting kit can accommodate up to 2" (5.08cm) mounting pipe
- The drain holes must face downward
- Adjust tilt and position and tighten nuts to 5 lb./ft. (6.8 Nm)

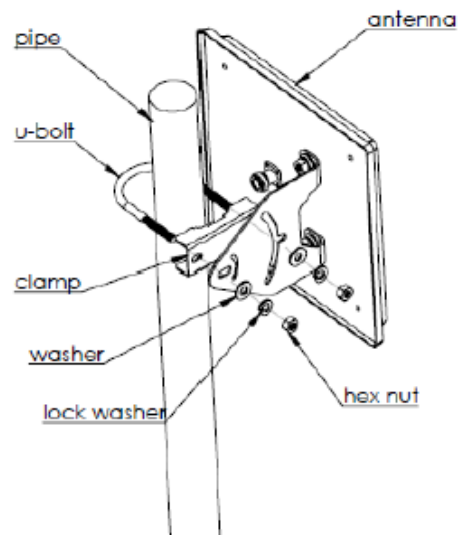
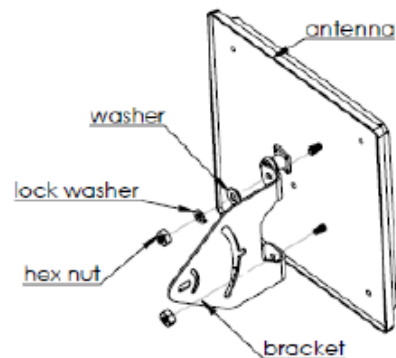
**NOTE:** DO NOT overtighten

**ATTENTION:** Always wear safety glasses and follow the proper safety practices when installing this antenna.

### Products covered by this guide:

XW-24O-FP14 / XW-5XO-FP18 / XW-24O-FPS11M

XW-5XO-FP13M2 / XW-5XO-FPS13M3 / XW-4XO-FP14



[Terms and Conditions](#)



Toll Free: 1-800-648-2800  
Phone: 1-847-671-6690  
Fax: 1-847-250-5120  
Email: [info@mobilemark.com](mailto:info@mobilemark.com)



Phone: +44 1543 459555  
Fax: +44 1543 459545  
Email: [enquiries@mobilemarkeurope.co.uk](mailto:enquiries@mobilemarkeurope.co.uk)



[Mobilemark.com](http://Mobilemark.com)

950-031-9-001-0218 JM REV. A