

XW Helical Outdoor Series Installation Instruction

Installation Steps:

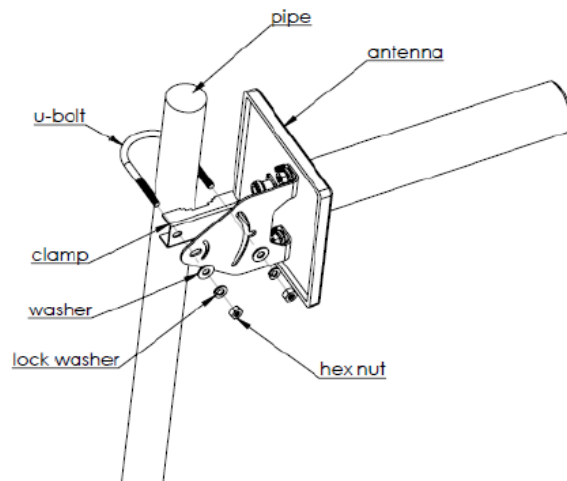
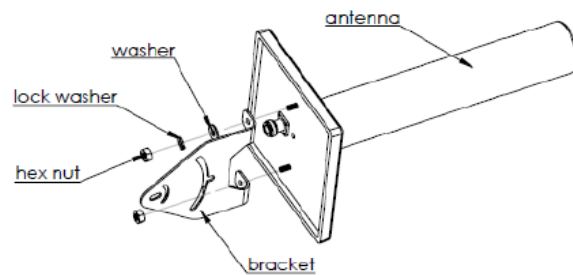
- Attach the bracket to the studs on the back of the antenna with supplied hardware
- Mount the antenna on mounting pipe using the U-bolt, the clamp and the supplied hardware
- Mounting kit can accommodate up to 2" (5.08cm) mounting pipe
- The drain holes must face downward
- Adjust tilt and position and tighten nuts to 5 lb./ft. (6.8 Nm)

NOTE: DO NOT overtighten

ATTENTION: Always wear safety glasses and follow the proper safety practices when installing this antenna.

Products covered by this guide:

XW-240-H10 / XW-240-H13



[Terms and Conditions](#)



Toll Free: 1-800-648-2800
Phone: 1-847-671-6690
Fax: 1-847-250-5120
Email: info@mobilemark.com



Phone: +44 1543 459555
Fax: +44 1543 459545
Email: enquiries@mobilemarkeurope.co.uk



Mobilemark.com

950-032-9-001-0218 JM REV. A