

## XW Panel Indoor Series Installation Instruction

### Installation Steps:

- Set the orientation of the bracket by loosening the knob, moving the upper part and retightening the knob
- Attach the antenna to the bracket using the supplied hardware
- Tighten nut to 5 lb./ft. (6.8 Nm)
- Attach the wall attachment to the wall
- Slide the antenna with the bracket in the wall attachment and use the screw to secure it

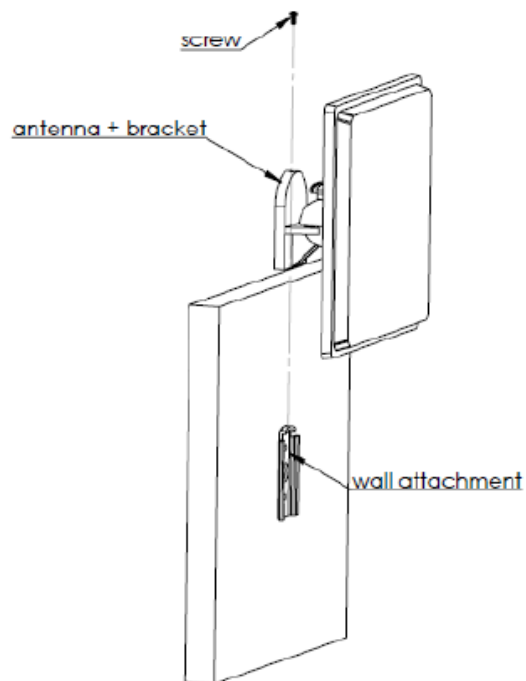
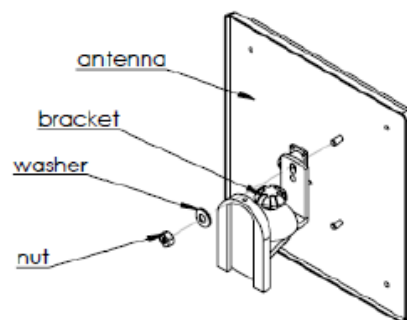
**NOTE:** DO NOT overtighten

**ATTENTION:** Always wear safety glasses and follow the proper safety practices when installing this antenna.

### Products covered by this guide:

XW-24I-FP14 / XW-5XI-FP18 / XW-24I-FPS11M

XW-5XI-FP13M2 / XW-5XI-FPS13M3



[Terms and Conditions](#)



Toll Free: 1-800-648-2800  
Phone: 1-847-671-6690  
Fax: 1-847-250-5120  
Email: [info@mobilemark.com](mailto:info@mobilemark.com)



Phone: +44 1543 459555  
Fax: +44 1543 459545  
Email: [enquiries@mobilemarkeurope.co.uk](mailto:enquiries@mobilemarkeurope.co.uk)



[Mobilemark.com](http://Mobilemark.com)

950-037-9-001-0318 DR: JM APP: XX REV. B