

## CVL Series Installation Instruction

### Models Covered: CVL-WLF and CVL-WB2 Series

#### Installation Guidelines

The CVL Series Covert Antenna can be mounted to any surface in a wide variety of locations including fixed and mobile locations. Performance will differ among choice of mounting setting.

Typical mobile installations include: Underneath non-metal dashboards, underneath the carpet on the back deck, mounted on the windshield or rear window, on the back side of a rear-view mirror, inside taillights, or underneath plastic or fiberglass bumpers. Fixed locations can include NEMA boxes, vending machines, or street lighting. For optimal performance the antenna should be mounted as close to vertical as possible.

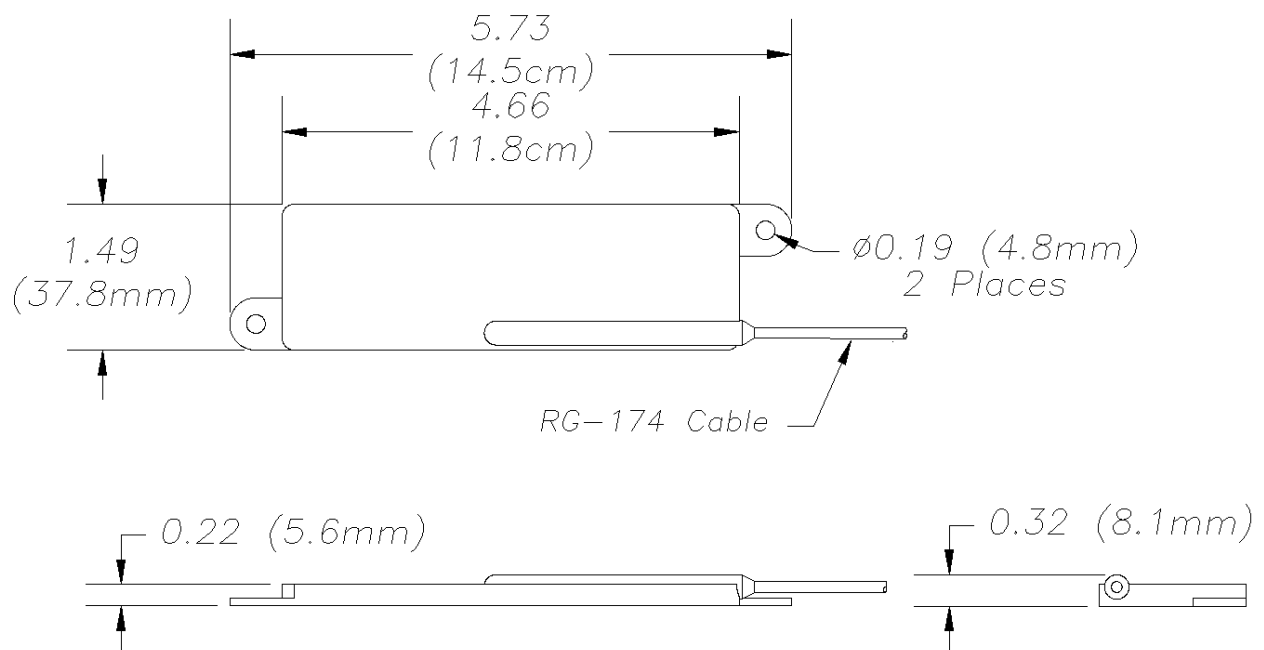
For best results, be sure to clean the mounting surfaces with the enclosed alcohol prep pad prior to installation.

#### Installation Steps

In order to secure the antenna, double sided tape is provided. The tape can be mounted on either side of the antenna depending on the installation. If the antenna is mounted to metal, allow ½ inch clearance from the metal for optimal performance.

After mounting, route the cables and attach to equipment via the specified attached connectors.

Alternatively, the mounting holes on either side of the CVL can be used. Use the holes on the CVL as a template to mark the mounting holes onto your mounting surface. Drilling two pilot holes 3/32 of an inch (2.38 mm) into the mounting surface will make it easier to use screws to attach the CVL antenna.



[Terms and Conditions](#)



Toll Free: 1-800-648-2800  
Phone: 1-847-671-6690  
Fax: 1-847-250-5120  
Email: [info@mobilemark.com](mailto:info@mobilemark.com)



Phone: +44 1543 459555  
Fax: +44 1543 459545  
Email: [enquiries@mobilemarkeurope.co.uk](mailto:enquiries@mobilemarkeurope.co.uk)



[Mobilemark.com](http://Mobilemark.com)

950-058-9-001-0621 Rev C