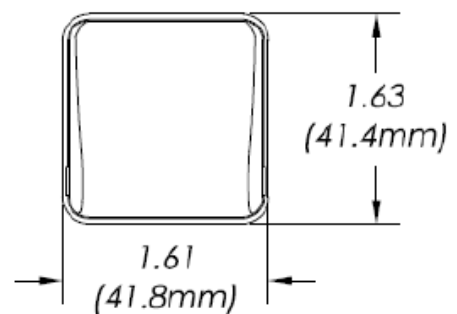
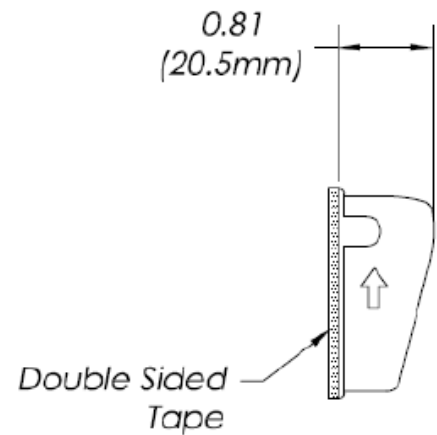
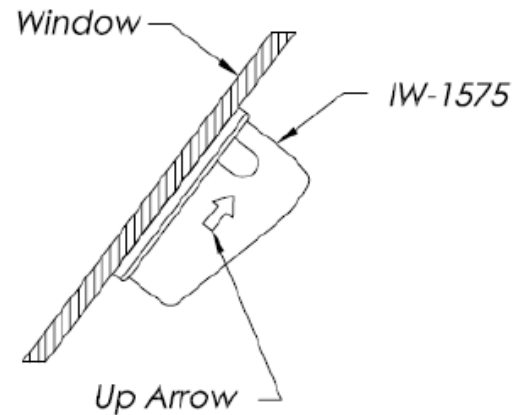


## IW-1575 GPS Glass-Mount Installation Instruction

### Installation Steps:

- This antenna is to be installed on the interior side of a vehicle's window.
- Clean the area on the inside window where the antenna will be installed with alcohol and allow it to dry thoroughly.
- Remove backing off the double-sided tape and carefully place the antenna on the window, as high up near the top as possible with arrow facing up.
- **Important:** Installation should not be attempted in temperatures less than 60°F (15.5°C). The glass must be clean and dry and antenna parts should be at room temperature.
- **NOTE:** If the rear window is used for antenna mounting, avoid covering the defroster wires which will inhibit proper antenna operation.
- **ATTENTION:** Always wear safety glasses and follow the proper safety practices when installing this antenna.



[Terms and Conditions](#)



Toll Free: 1-800-648-2800  
Phone: 1-847-671-6690  
Fax: 1-847-250-5120  
Email: [info@mobilemark.com](mailto:info@mobilemark.com)



Phone: +44 1543 459555  
Fax: +44 1543 459545  
Email: [enquiries@mobilemarkeurope.co.uk](mailto:enquiries@mobilemarkeurope.co.uk)



[Mobilemark.com](http://Mobilemark.com)

950-016-9-001-0114/DR: SM/APP: JP/REV. B