

Base Station Series Installation Instruction

Care should be taken when choosing a site for installation of any antenna. A good location should provide a minimum of interference from power lines, mountains or structures that may surround the site.

Special care must be taken when installing antennas near power lines. Power lines can kill you if you or your antenna come in contact with them during an installation.

As a rule, standard mounting procedures for base station installation should be followed.

The mount provides a simple method for installation. It reduces the amount of time required to complete an installation. The mount consists of an upper and lower bracket. They should be installed on the mast or tower leg spaced approximately 6" (152.4mm) apart. After installing the brackets, the antenna should be slipped through the brackets and the hex bolts tightened into the aluminum base of the antenna. (Fig.A)

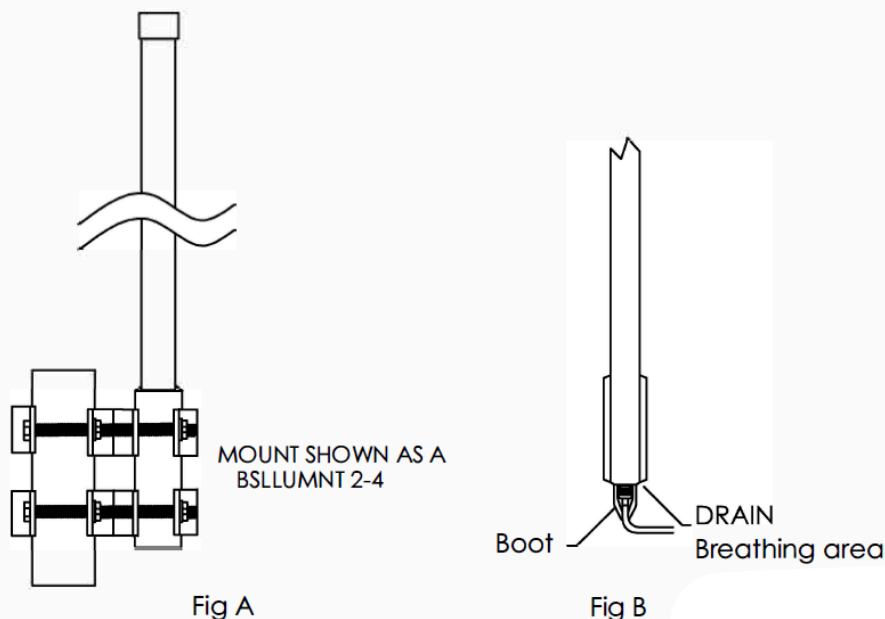
The fiberglass tube runs all the way to the base of the antenna with the aluminum mounting sleeve simply acting as an external mounting surface.

When installing your feed line to the antenna, it should be attached to the exposed "N" connector.

Because condensation can form due to temperature changes, a breathing area at the base of the antenna must be maintained to dissipate any moisture. (Fig.B)

The choice of coax is application dependent and becomes more critical with long runs and higher frequencies.

Trade-offs between performance and price must be examined carefully when choosing your system components.



[Terms and Conditions](#)



Toll Free: 1-800-648-2800
Phone: 1-847-671-6690
Fax: 1-847-250-5120
Email: info@mobilemark.com



Phone: +44 1543 459555
Fax: +44 1543 459545
Email: enquiries@mobilemarkeurope.co.uk



Mobilemark.com

950-057-9-001-0319/DR: SM/APP: XX/REV. C