

## A1001

### Heavy-Duty Battery Tap

#### PRODUCT OVERVIEW

The A1001 is a Heavy-Duty Battery Tap that's designed for tapping off power from any 12 volt battery to other accessories such as Two-Way Radio Equipment, Electric Winches, Burglar Alarm, Trailer Lights, etc. This product can be simply attached to any battery cable in minutes; no soldering is needed for installation.

The product is manufactured from high-quality extruded aluminum block and electrically insulated by Red Epoxy coat that is anti-corrosion.

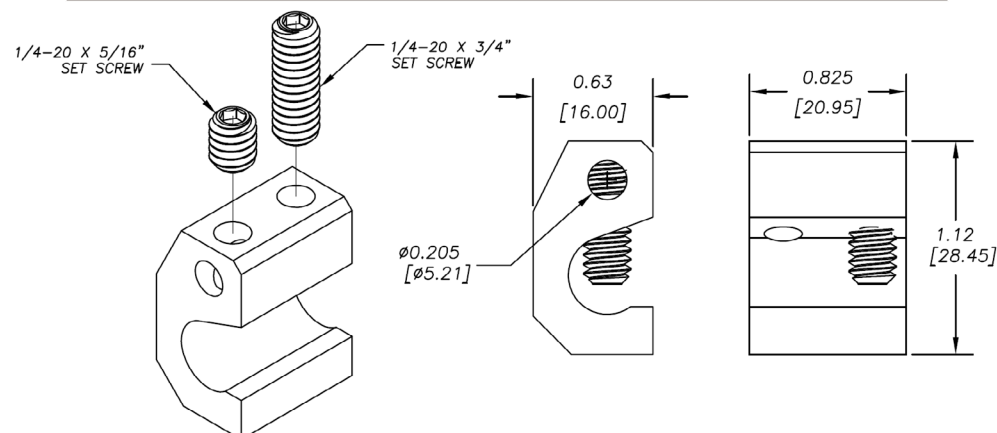
This product is available in two packages; the A1001A, includes five individually packaged connectors, and the A1001B, is a bulk pack of 25 pieces. Set screws are included.

\*The manufacturer recommends that a fuse of proper rating be installed on the accessory line as close to the Battery Tap as possible (see [Installation Instructions](#) for details)\*

To Purchase, visit [www.TheAntennaStore.com](http://www.TheAntennaStore.com).

Specifications	
Dimensions	1.12" Tall x 0.825" Wide x 0.63" Thick
Material	Aluminum
Set Screws	Material: Stainless Steel
	Long Set Screw for Source Power Line Short Set Screw for Accessory Power Line
Finish	Red Insulating Epoxy Coating
Maximum Battery Cable Size	3/0 AWG
Maximum Accessory Cable	#6 AWG

#### Drawing References



#### HIGHLIGHTS:

- Heavy-Duty
- Easy to Install
- Not subjected to Battery Corrosion
- Epoxy Coating Provides Electrical Isolation

#### RELATED MODELS:

- A1001A Battery Tap (5 Individually Packed)
- A1001B Battery Tap (25 Bulk Packed)

#### COMMON APPLICATIONS:

- Two-Way Radio Equipment
- High Current Emergency Lights
- Electric Trailer Brakes/Lights
- Electric Winches
- Burglar Alarms
- Boats
- RVs



US Headquarters +1.847.671.6690 • US/CA Toll Free +1.800.648.2800  
European Facility +44.1543.459555 • [www.MobileMark.com](http://www.MobileMark.com)

Moving Wireless Forward®