

CVW-UMK

Universal Mounting Kit

PRODUCT OVERVIEW

The CVW-UMK is a Universal Mounting Kit for CVW Series Antennas. It is ideal for mounting the CVW models on desks, windows/glass, or walls. CVW Series support High-Speed Data Communication Systems (Fixed/Mobile), High-Speed WiFi Hot Spot, and Navigation Systems.

All mounting hardware are provided with mounting kit.

*Specify CVW-DIN for DIN Rail Mounting Kit.

To Purchase, visit www.TheAntennaStore.com.

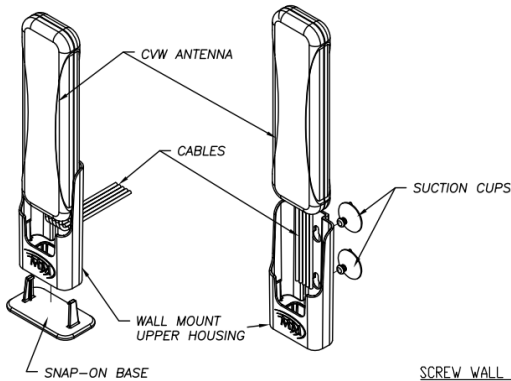
Specifications

Dimensions	~4.5" (114mm) Tall x ~2.25" (57mm) Wide x ~1.25" (32mm) Thick
Material	Plastic (Housing)
Mounting Hardware	2x Screws with Plastic Drywall Anchors
	Double-Sided Mounting Tape
	2x Suction Cups
	Snap-On Base (Plastic)

Drawing References

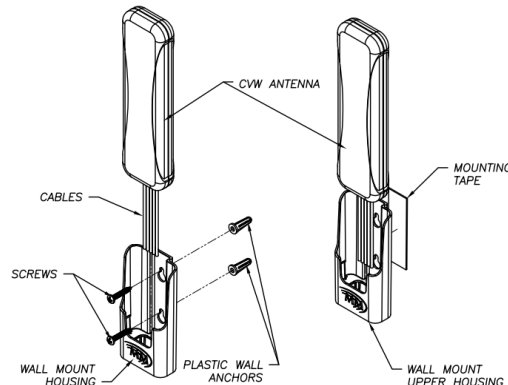
SNAP-ON DESK MOUNT

SUCTION CUP WINDOW MOUNT



SCREW WALL MOUNT

TAPE WALL MOUNT



HIGHLIGHTS:

- Desk Mount (with snap-on base)
- Window or Glass Mount (with suction cups)
- Wall Mount (with high-quality double-sided adhesive or 2x screws with plastic drywall anchors)

CVW SERIES - NUMBER OF ELEMENTS:

- 5 elements
- 3 elements
- 2 elements

COMMON APPLICATIONS:

- High-Speed Data Communication Systems for Fixed or Mobile
- High-Speed WiFi Hot Spot
- Navigation Systems



US Headquarters +1.847.671.6690 • US/CA Toll Free +1.800.648.2800
European Facility +44.1543.459555 • www.MobileMark.com

Moving Wireless Forward®