

CVW-DIN

DIN Rail Mounting Kit

PRODUCT OVERVIEW

The CVW-DIN is a DIN Rail Mounting Kit for CVW Series Antennas. It is ideal for mounting the CVW models on rails. CVW Series support High-Speed Data Communication Systems (Fixed/Mobile), High-Speed WiFi Hot Spot, and Navigation Systems.

All mounting hardware are provided with mounting kit. DIN Rail is not included.

*Specify CVW-UMK for Universal Mounting Kit.

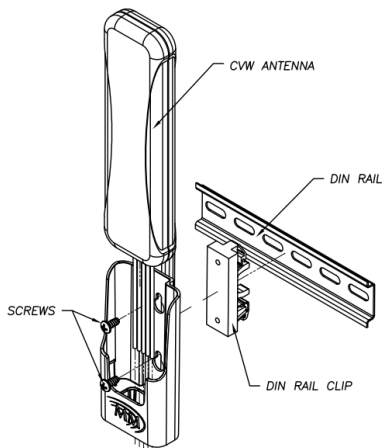
To Purchase, visit www.TheAntennaStore.com.

Specifications

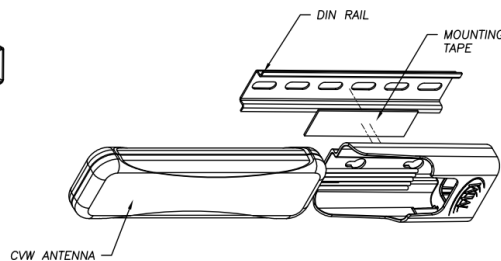
Dimensions	~4.3" (109mm) Tall x ~2.25" (57mm) Wide x ~1.25" (32mm) Thick
Material	Plastic (Housing)
Mounting Hardware	2x Screws
	DIN Rail Clip
	Double-Sided Mounting Tape

Drawing References

DIN RAIL MOUNT



TAPE DIN RAIL MOUNT



HIGHLIGHTS:

- Rail Mount (with DIN Rail Clip)

CVW SERIES - NUMBER OF ELEMENTS:

- 5 elements
- 3 elements
- 2 elements

COMMON APPLICATIONS:

- High-Speed Data Communication Systems for Fixed or Mobile
- High-Speed WiFi Hot Spot
- Navigation Systems



US Headquarters +1.847.671.6690 • US/CA Toll Free +1.800.648.2800
European Facility +44.1543.459555 • www.MobileMark.com

Moving Wireless Forward®