

J-WMK

Universal Wall Mounting Kit

PRODUCT OVERVIEW

The J-WMK Heavy Duty indoor or outdoor Universal Wall Mount is designed specifically for the BPN Series Base Station Antennas but will accommodate any 1.5" fixture.

Designed for years of trouble free, dependable service the J-WMK Heavy Duty indoor or outdoor Universal Wall Mount is made from rust resistant galvanized steel capable of supporting up to thirty pounds (30 Lbs). The J-WMK is easily installed by one person and requires minimal tools. Ideal for applications such as TV, Weather Stations, CB or Ham radios, speakers, or emergency lighting or anything requiring a durable mounting system.

Mounting hardware not included.

Visit our [eStore](#) to purchase an Antenna Online.



J - W M K
Model _____

Mechanical Specifications	
Overall Height	16.47"
Tube Diameter	1.5" Diameter Heavy Duty Tube
Mount Bracket Dimensions	3.70" Length Between Mount Holes 6.00" Width Between Mount Holes
Mounting Holes	4x 0.30" Diameter
Distance Between End Points	7.22" Ref. From Wall to Heavy Duty Tube
Weight	2.2 lbs
Adjustable Angle	±45°

HIGHLIGHTS:

- Universal Wall Mount
- Heavy Duty Mounting Bracket
- Rust Resistant, Galvanized Steel
- Weatherproof & Versatile
- Adjustable Angle/Pivot for Best Signal Reception
- Easy to Install

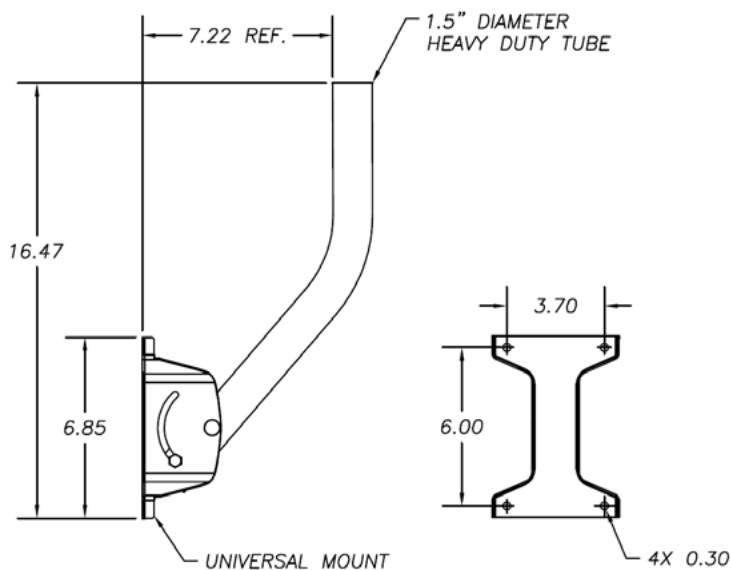
RELATED MODELS:

- BPN942 (4x Sub-6 5G/LTE, 2x WiFi 6E, 1x GPS)
- BPN941 (4x Sub-6 5G/LTE, 1x WiFi 6E, 1x GPS)
- BPN940 (4x Sub-6 5G/LTE, 1x GPS)

COMMON APPLICATIONS:

- Fixed Site Installation
- Weather Stations
- CB, Ham Radios, Speakers
- Emergency Lighting

Drawing References



US Headquarters +1.847.671.6690 • US/CA Toll Free +1.800.648.2800
European Facility +44.1543.459555 • www.MobileMark.com

Moving Wireless Forward®