

ECO-600/7200

Omnidirectional Antenna

617-960 & 1710-7200 MHz (5G)

SPECIFICATIONS

ELECTRICAL

Frequency/Gain: 617-960 MHz / 2dBi Peak
1710-7200 MHz / 7dBi Peak

Impedance: 50 Ohms nominal

V.S.W.R.: 2:1 Typ. / 3:1 Max.

Power: 10 watts maximum

MECHANICAL

Dimensions: 10" x 1.03"

Radome Material: Fiberglass

Connectors: N Jack (F)

Mounting: Mounting clamp provided
For pipe mount up to 2" OD
And for wall mount

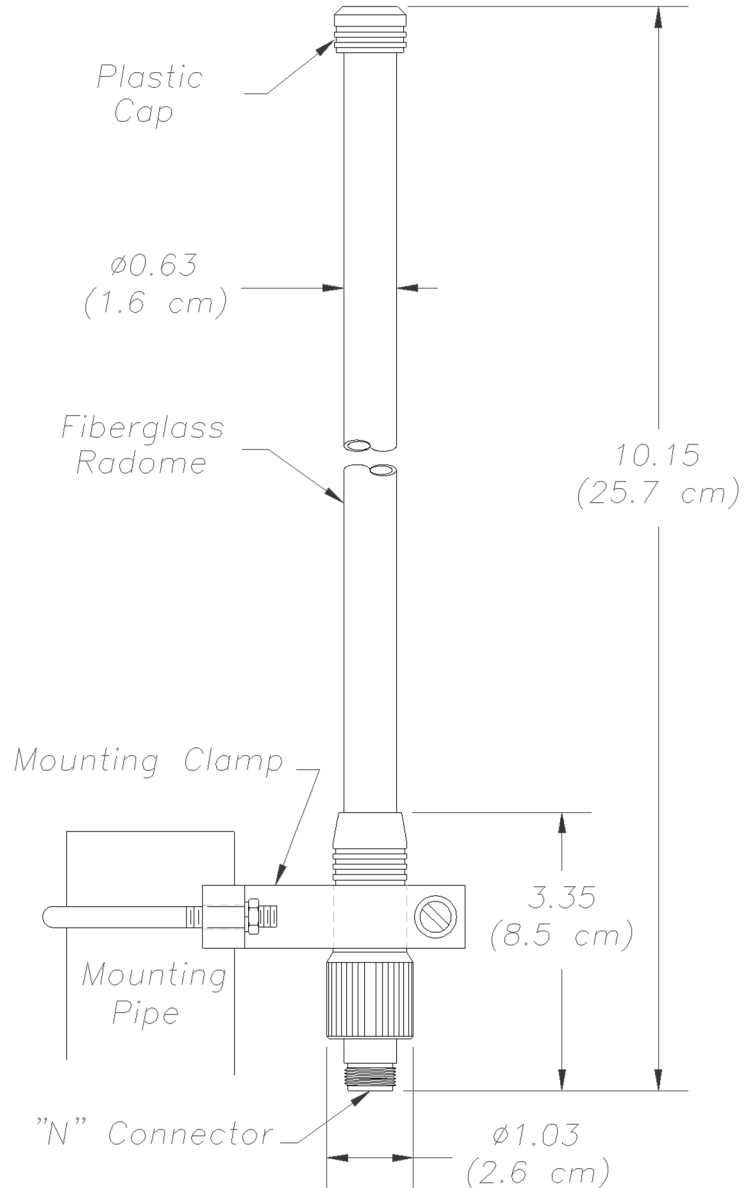
ENVIROMENTAL

Op. Temp.: -40° to +80° C

Water Ingress: IP-55

Wind Survivability: 100 mph (161 kph) min
100 mph with ½" radial ice

Lightening Protection: External recommended

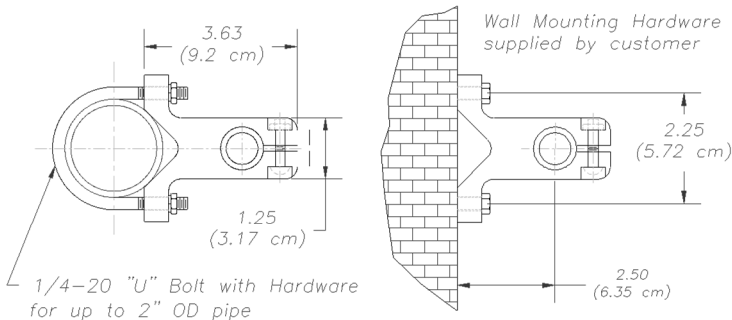


5G NR Bands Covered:

n1 n2 n3 4 n5 6 n7 n8 n12 n13 n14 n18 n20 n25 n26 n28 n29 n30 n34 n38 n39
n40 n41 n46 n47 n48 n53 n65 n66 n67 n70 n71 n77 n78 n79 n80 n81 n82 n83
n84 n85 n86 n89 n90 n95 n96 n98 n100 n101 n102 n104 n105 n106

LTE Bands Covered

1 2 3 4 5 6 7 8 9 10 12 13 14 17 18 19 20 22 23 25 26 27 28 29 30 33 34 35 36
37 38 39 40 41 42 43 44 46 47 48 49 52 53 65 66 67 68 69 70 71 77 78 79 80 81
82 83 84 85 86 89 90 95 96 98 100 101 102 104 105 106 252 255



PIPE MOUNTING
TOP VIEW

WALL MOUNTING
TOP VIEW

