

Technical Specification
745-960 MHz 10dBd/12dBi Gain

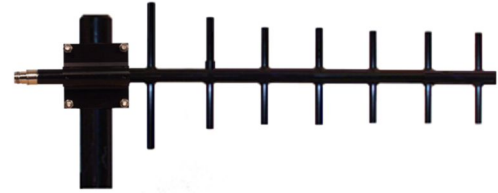
Y6687D-WB
FULLY WELDED YAGI

High Performance: These antennas provide 10.2dBd, wide band performance.

Rugged and weatherproof: The construction of our heavy duty end fed yagis feature aluminum heavy wall tubing and 3/8" solid elements. All exposed areas are coated with UV polyester. The feed system is completely enclosed.

Lightweight and Durable: These antennas are easily installed by one person.

Termination : Direct Female Type "N"



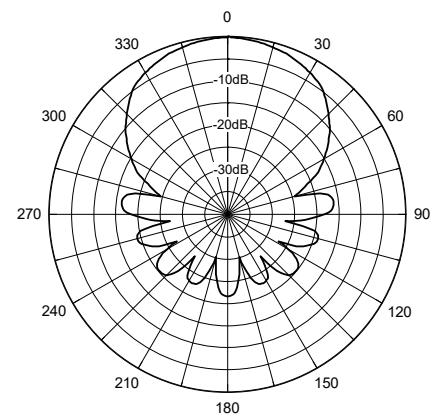
ELECTRICAL SPECIFICATIONS:

GAIN: 10dBd F/B 20dB
FREQUENCY: -746-960MHz
VSWR: 2:1
VERT BEAMWIDTH: 45°
HORIZ BEAM WIDTH: 55°
RATING : 300 watts, 50 ohms impedance

MECHANICAL SPECIFICATIONS:

MATERIAL: 1" (2.54cm) heavy wall aluminum
 3/8" (9.5mm) solid elements
FINISH: UV inhibited polyester coat
LENGTH: 27" (69cm)
WIDTH: 8.5" (21.5cm)
WEIGHT: 3 lbs. (1.3kg)
MOUNT: 2 3/8" (6cm)
FLAT PLATE AREA: .265 ft
WIND RATING: 125 MPH (201kph)
WIND LOAD: 15.9 lbs (7.2kg)

Horizontal Pattern



Vertical Pattern

