

## CUTTING CHART FOR A1511 BROADBAND QUARTERWAVE ANTENNA

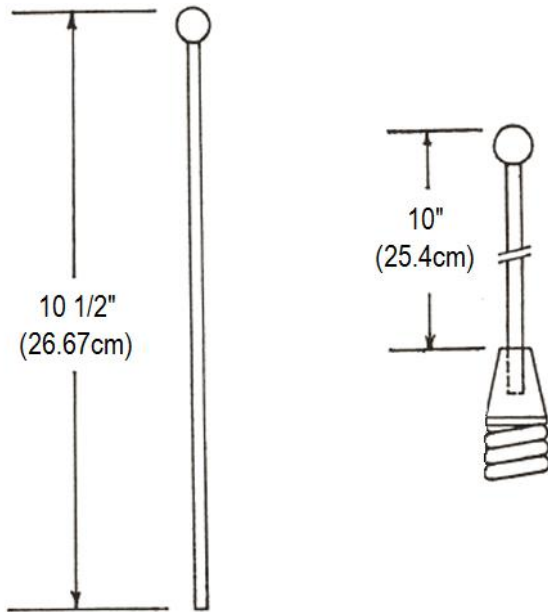
This versatile antenna is shipped from the factory with a 17-1/2" (44.45cm) whip that provides coverage from 134MHz through 150MHz at less than 2:1 VSWR. By moving the whip in the adapter, a VSWR below 1.5 : 1 at specific frequencies can be obtained.

For operation from 150MHz through 174MHz the whip should be cut to 16" (40.64cm). At this frequency the antenna provides a minimum of 24MHz bandwidth. The bandwidth continues to improve as you move up in frequency getting as high as 100MHz above 400 MHz.

For specific operation in the 220MHz and UHF bands, the following instructions apply.

For operation at 220-225MHz

- (1) Trim whip from the bottom to 10-1/2" (26.67cm).
- (2) Position whip so 10" (25.4cm) protrudes from the top of the adapter



For operation above 406MHz

- (1) Trim antenna from bottom to 4-1/8" (10.477cm).
- (2) The upper or lower segment of the band may be favored by moving the whip in the adapter as shown

