

**Technical Specification**

**406-512 MHz 8.8dB Gain**

**HEAVY DUTY YAGI ANTENNA**

**High Performance:** These antennas provide 8.8dBd, wide band performance.

**Rugged and weatherproof:** The construction of our heavy duty yagis feature 1" aluminum U channel with 3/8" solid elements. All exposed areas are coated with UV polyester. The balun assembly is filled and sealed with elastomeric thermoplastic.

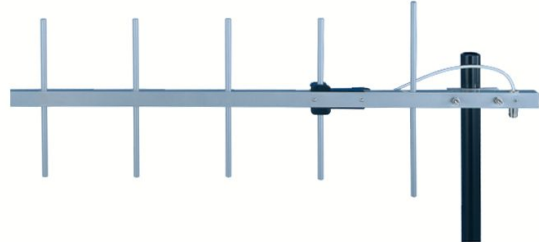
**Lightweight and Durable:** These antennas are easily installed by one person.

**Termination Options:**

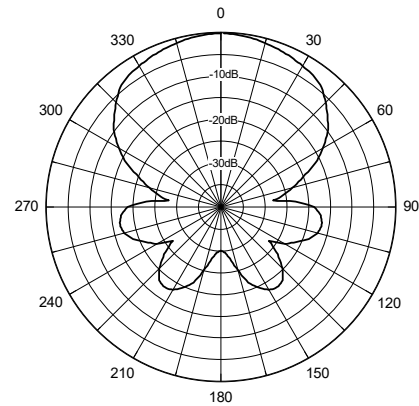
**Type A:** 12" Teflon pigtail with N connector.

**Type B:** Direct TNC connection to the balun.

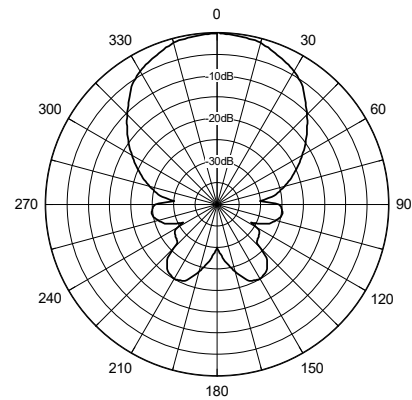
**Type D:** Direct N connection to the balun.



**Horizontal Pattern**



**Vertical Pattern**



**ELECTRICAL SPECIFICATIONS:**

**GAIN:** 8.8dBd F/B 18dB

**FREQUENCY:**

<b>Y3335 - A</b>	370-390MHz
<b>Y3345 - A</b>	406-430MHz
<b>Y3345 - B</b>	430-450MHz
<b>Y3345 - C</b>	450-470MHz
<b>Y3345 - D</b>	470-490MHz
<b>Y3345 - E</b>	490-512MHz

**VSWR:** <2:1

**VERT BEAMWIDTH:** 55°

**HORIZ BEAM WIDTH:** 60°

**RATING:** 300 watts

**IMPEDANCE:** 50 ohms

**MECHANICAL SPECIFICATIONS:**

**MATERIAL:** 1" (2.54cm)aluminum U channel boom

3/8" (9.5mm)solid elements

**FINISH:** UV inhibited polyester coat

**LENGTH:** 32" (81cm)

**WEIGHT:** <4 lbs. (1.8kg)

**MOUNT:** 2 3/8" (6cm) mast, stainless hardware

**FLAT PLATE AREA:** .31 ft<sup>2</sup>

**WIND RATING:** 125 MPH (201kph)

**WIND LOAD:** 18.7 lbs.(8.4kg)