

Technical Specification

150-174 MHz, 220-225 MHz

LOW PROFILE CEILING MOUNT ANTENNA

Performance: These antennas provide unity gain in a design for heavy duty service. They have a power handling capacity of 150 watts. This antenna has a 1MHz band width. Must specify center frequency upon ordering.

Stylish and Durable: These antennas are manufactured using the finest materials and finishes available. The covers are molded using UV inhibited ABS plastic and are available in black or white finishes. (Custom colors are available)

Reliable: The ABS base has an ultrasonically welded brass insert and a gold plated spring loaded contact.

Standard Mounting: These antennas can be used in ceiling mount applications to provide omni-directional operation. Type "N" termination provides an easy way to install through standard ceiling tiles. This antenna is supplied with an 13" ground plane.



ELECTRICAL SPECIFICATIONS:

FREQUENCY RANGE:

A1611 150-174MHz
Must specify center frequency

A1621 220-225MHz

BANDWIDTH:

A1611 1MHz

A1621 3MHz

GAIN: Unity

IMPEDANCE: 50 ohms

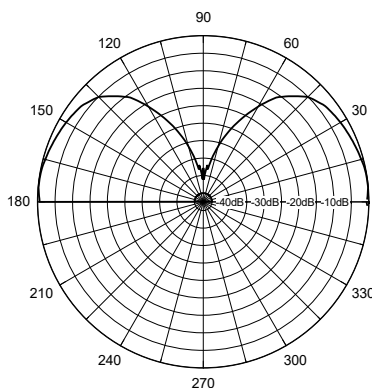
POWER RATING: 150 watts

VSWR: <2.0:1

MECHANICAL SPECIFICATIONS:

RADOME: UV inhibited ABS plastic
BASE: ABS, Ultrasonic brass insert
CONTACT: Gold plated spring loaded contact
HEIGHT: 3 1/4" (8.2cm)
DIAMETER: 3" (7.6cm)
MOUNTING: Type "N" Female Termination
COLOR: White or Black

Vertical Pattern



Inverted Vertical Pattern

